

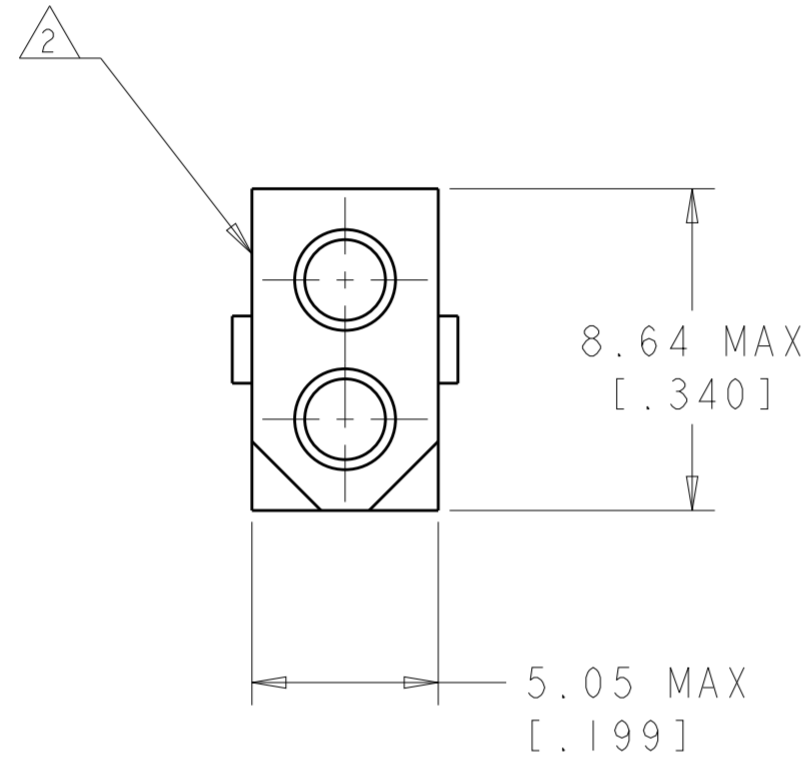
THIS DRAWING IS UNPUBLISHED. RELEASED FOR PUBLICATION 20
 © COPYRIGHT 20 BY ALL RIGHTS RESERVED.

LOC	DIST	REVISIONS					
CM	00	P	LTR	DESCRIPTION	DATE	DWN	APVD
			H2	REVISED PER ECR-15-014633	12OCT2015	SC	DZ

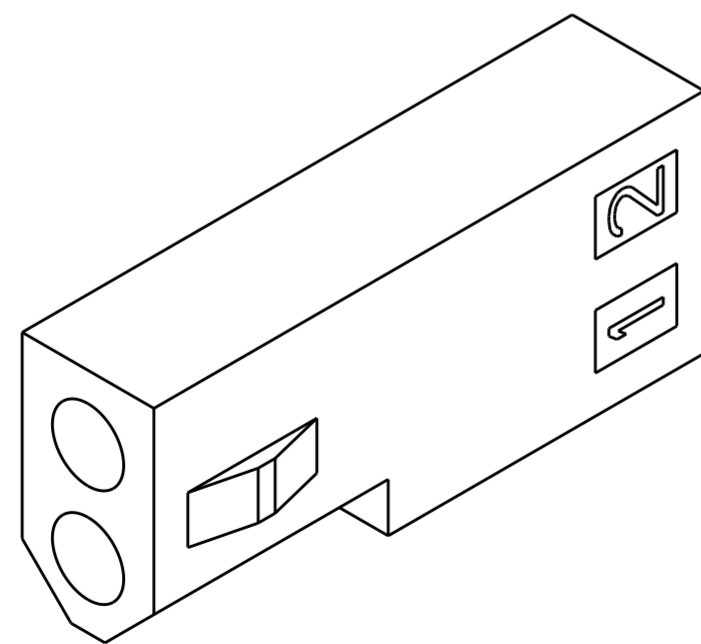
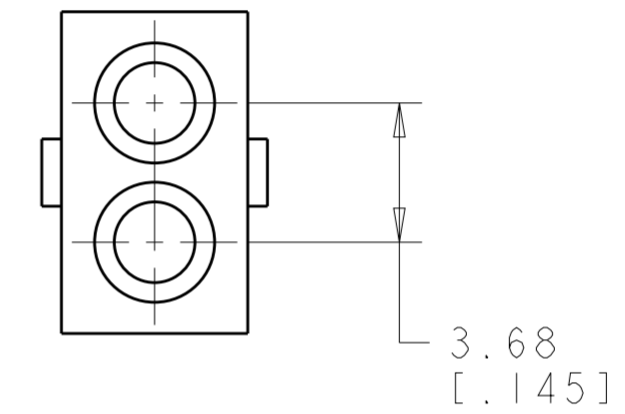
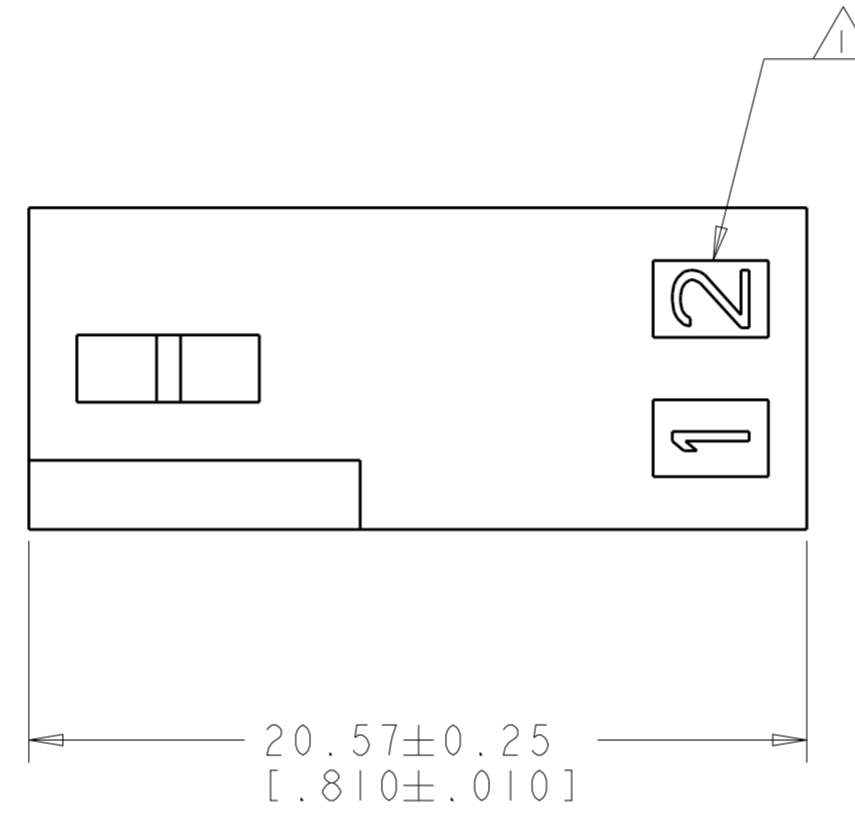
① AMP LOGO AND CAVITY NUMBER LOCATED ON EITHER SURFACE.

② CIRCUIT NUMBER LOCATED ON EITHER SURFACE.

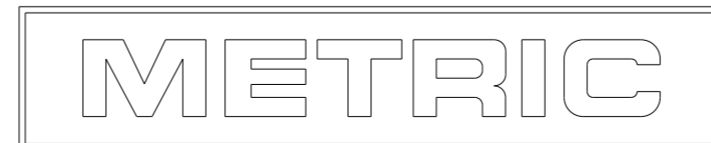
(OPPOSITE SIDE-OPTIONAL)



(OPPOSITE SIDE-OPTIONAL)



0.035 IN ³	BLACK	770342-3
0.035 IN ³	NATURAL	770342-1
VOLUME	COLOR	PART NUMBER



THIS DRAWING IS A CONTROLLED DOCUMENT.		DWN K. WHITAKER 22MAY2007	STE TE Connectivity	
DIMENSIONS: mm [INCHES]		CHK C. CASH 22MAY2007	NAME RECEPTACLE, 2 CIRCUIT, .062 PIN AND SOCKET	
TOLERANCES UNLESS OTHERWISE SPECIFIED:		APVD C. CASH 22MAY2007	SIZE A2	CAGE CODE 00779
0 PLC ± -	1 PLC ± -	PRODUCT SPEC	DRAWING NO G- 770342	RESTRICTED TO
2 PLC ± 0.13 [.005]	3 PLC ± -	APPLICATION SPEC	SCALE 5:1	SHEET 1 OF 1
4 PLC ± -	ANGLES ± -	WEIGHT	CUSTOMER DRAWING	REV H2
MATERIAL NYLON, UL94V-2	FINISH			